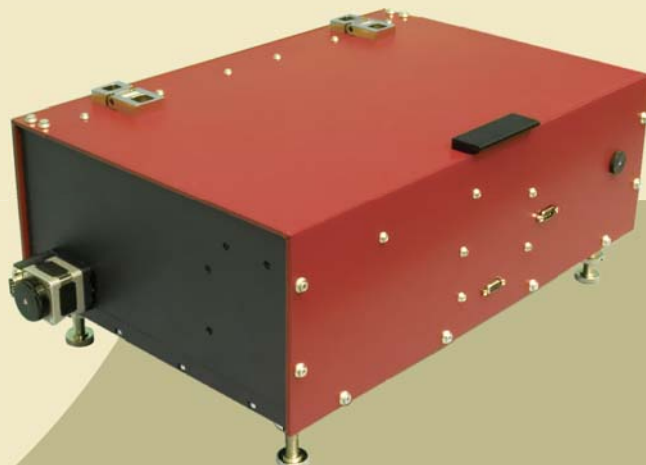




Rincon Cross-Correlator

- High dynamic range
- High temporal range
- High sensitive photodetector
- USB compatible

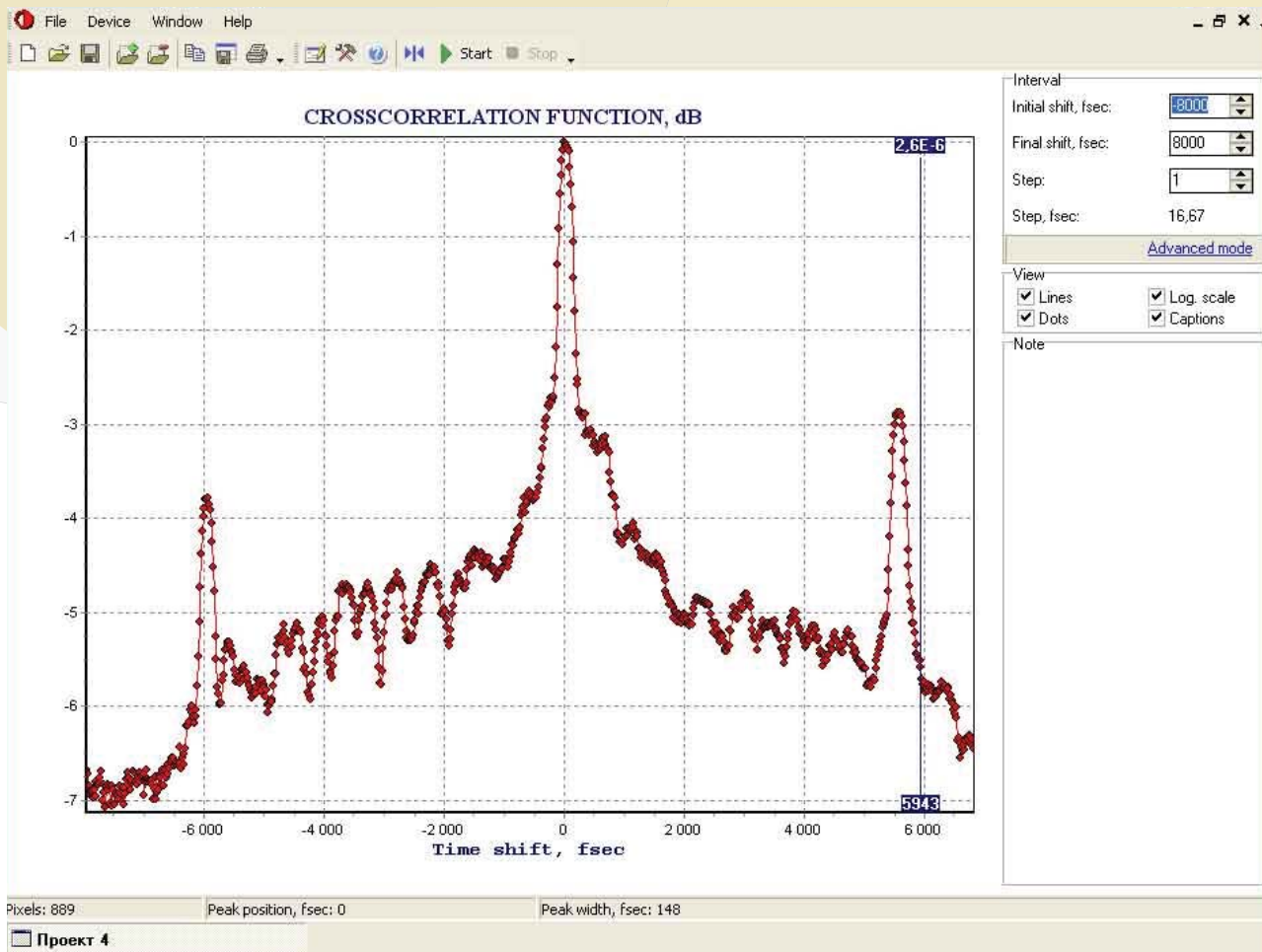


Rincon cross-correlator

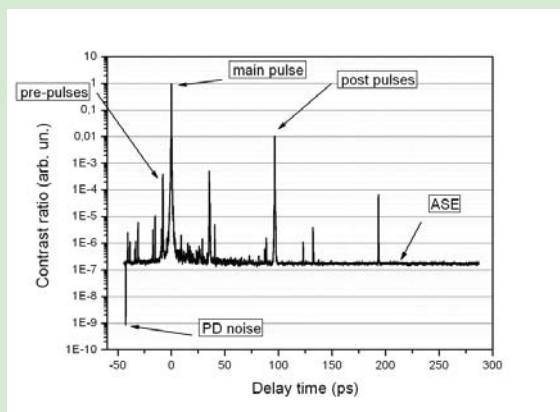
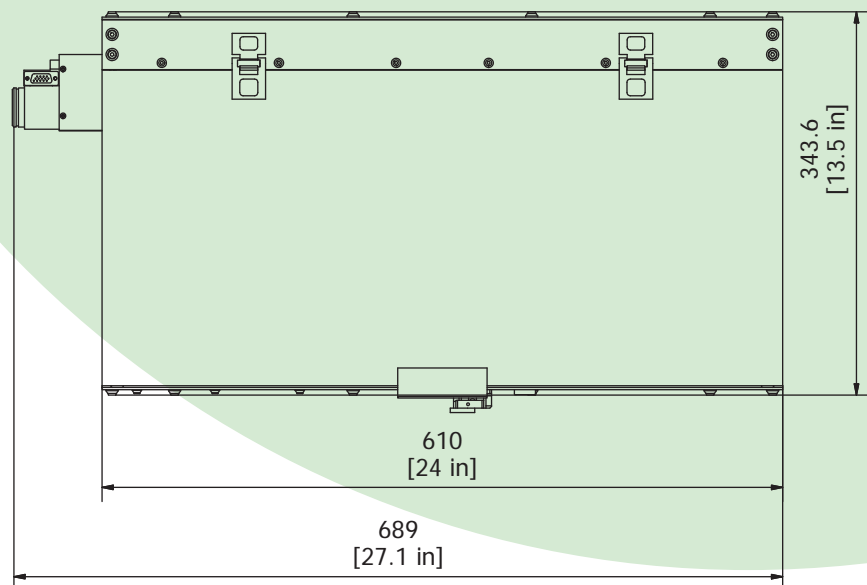
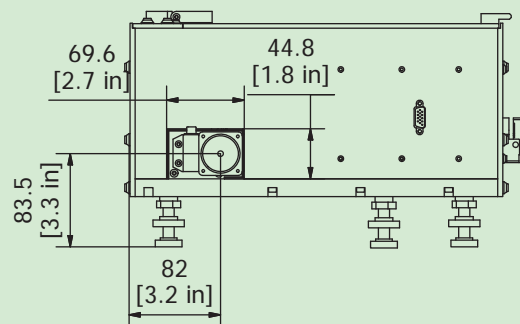
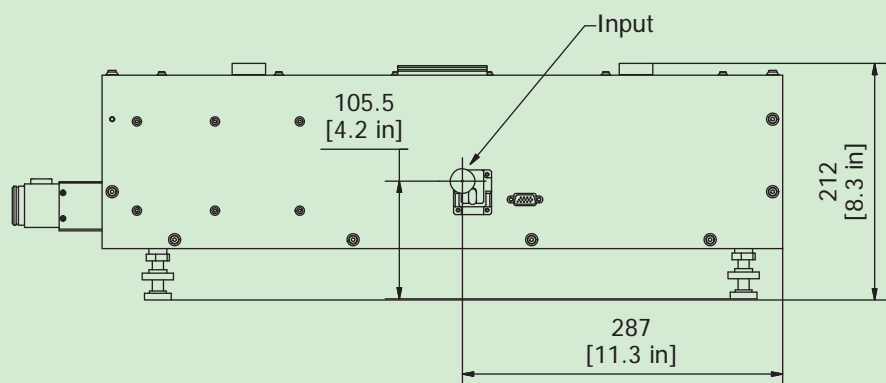
Product overview

The new third order cross-correlator has been specifically developed for measuring a wide array of output parameters from ultrafast laser systems including: contrast ratio of laser pulses, determining pulse pedestal, pre- and post-pulses, and amplified spontaneous emission in femtosecond systems. It also provides information about the third-order cross-correlation function of pulse intensity on a femtosecond scale and can be used for alignment of high power femtosecond lasers.

The cross-correlator includes opto-mechanical assembly and electronics with USB interface. System is easy to operate and includes a full set of user friendly software tools for data collection and analysis.



Software screenshot



Contrast/delay graph

Rincon technical specifications

	Rincon
Wavelength, nm	700-1500*
Dynamic range	$>10^{10}$
Temporal range, ps	950
Input radiation energy (40-50 fs pulse), μJ	>80
Pulse duration, fs	>20
Repetition rate, kHz	$<10^{**}$
Input polarization, linear	horizontal
Resolution, fs	100
Electric power	220 / 110 V AC; 50/60 Hz $\pm 10\%$
Dimensions, mm	Optical unit 690 x 345 x 210 Control unit 250 x 180 x 90

* - according to customer's request

** - < 8 kHz repetition rate is available for version with PMT.